

WIRELESS PAL PAD

Instruction Manual



The World at a Touch

ADAPTIVATION
I N C O R P O R A T E D

1-800-723-2783

2225 W. 50th St., Suite 100
Sioux Falls, SD 57105

PRINTED IN U.S.A.

Table of Contents

INTRODUCTION	3
THEORY OF OPERATION	3
TERMINOLOGY	4
MODES OF CONTROL	5
WIRELESS PAL PAD DIAGRAM	6
BATTERY INSTALLATION	7
OPERATION FOR AC APPLIANCES	7
OPERATION FOR BATTERY OPERATED	8
MOUNTING OPTIONS	9
DELAYED ACTIVATION	10
TROUBLESHOOTING	10
WARRANTY	12

INTRODUCTION

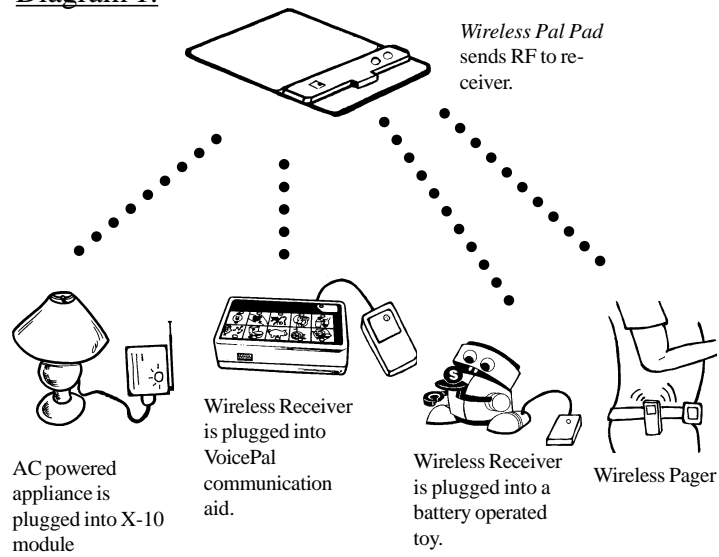
Your Adaptation, Inc. *Wireless Pal Pad* has been designed to provide access for individuals with physical or mental disabilities to basic environmental control. The *Wireless Pal Pad* will allow one electrical appliance or battery operated device to be activated. The *Wireless Pal Pad* uses an RF signal to remotely operate either an X-10 powerhouse module, Wireless Receiver, or a Wireless Pager. Each unit is sold separately. Because it is wireless, you are not tied down by cords or limited to a particular area. Wireless activation will allow greater flexibility and convenience for the user. Adaptation strives to offer our clients the highest quality products and support. Feel free to contact us at any time for assistance using your *Wireless Pal Pad*.

Operating your *Wireless Pal Pad*

Theory of Operation

The *Wireless Pal Pad* activates by sending a radio frequency (RF) signal to a Powerhouse X-10 transceiver module (also known as Lamp and Appliance Modules at Radio Shack), Wireless Receiver, or Wireless Pager. Diagram 1 helps illustrate a typical scenario.

Diagram 1.



Terminology

RF

RF stands for radio frequency. RF devices can transmit through walls unlike infrared which requires line of sight.

Wireless Receiver

A Wireless Receiver will allow the *Wireless Pal Pad* to control most battery operated devices and also communication aids or other assistive devices.

Transceiver Module

The Transceiver Module accepts the RF signal from the *Wireless Pal Pad* and will allow activation of most electrical or AC appliances.

House Code

The house code is the frequency the *Wireless Pal Pad* uses to transmit to either a Wireless Receiver or a Transceiver Module. The house code must be set to the same letter on both devices. Using different house codes can allow different individuals to operate their own devices without interfering with each other.

Unit Code

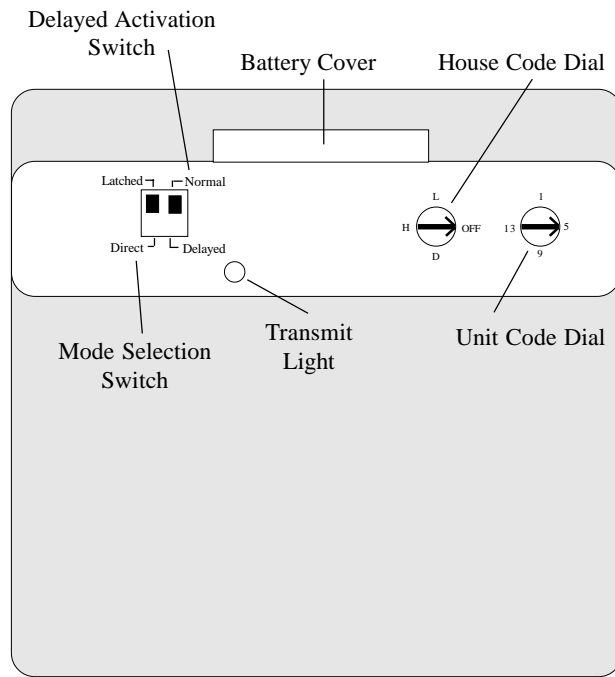
This code allows one Transceiver Module to operate up to 16 other appliance modules. The unit code on the *Wireless Pal Pad* must be set to the same number as the number on the appliance module.

Modes of Control

Direct selection: The appliance activates for as long as the switch is pressed. To set mode of control, set the two position slide switch to the desired position. Use a small screwdriver to slide the switch.

Latch selection: Press once and the appliance turns on. Press again and it turns off. The latch mode is effective when a device needs to be turned on for an extended amount of time. To set mode of control, set the two position slide switch to the desired position. Use a small screwdriver to slide the switch.

Diagram 2.



Battery Installation

*Note: Under normal conditions the battery in the *Wireless Pal Pad* should last several years. Please call Adaptivation before replacing the battery.

House Code Dial



Unit Code Dial

1. With the *Wireless Pal Pad* lying face up, carefully lift up the battery cover tab. Do not bend the tab any more than needed to remove the battery.
2. Place a pointed tool in the slot on the bottom side, and slide the battery out.
3. Insert a new CR2032 battery into the battery holder, making sure the negative (-) side is down.
4. Carefully bend the battery cover tab back to its original position.

Note: To conserve the batteries, turn off the *Wireless Pal Pad* when not in use. "OFF" is located between "A" and "O" on the House code dial. Also when using, for longer battery life use house codes A through G.

Operation for AC Appliances

1. Set the *Wireless Pal Pad* and the Transceiver Module to the same house code. Also make sure the unit code is set to the

number 1 position, unless you are plugging the appliance to be activated into another Appliance Module set to a different unit code.

2. Plug the appliance you wish to operate into the bottom of the Transceiver and plug it into the wall outlet. Make sure the appliance is in the "on" position.

3. Check to make sure the wattage of the appliance does not exceed the recommended maximum amount on the back of the Transceiver Module.

4. Set the *Wireless Pal Pad* to the desired mode of control. Press the top of the *Wireless Pal Pad* to activate the appliance.

Note: If using other Appliance Modules other than the Transceiver Module, you must still have the Transceiver Module plugged in since the *Wireless Pal Pad* sends the RF signal to this module first. Also make sure both the *Wireless Pal Pad* and the Appliance Module are set to the same unit code number.

Operation for Battery-Operated Devices

1. Set the *Wireless Pal Pad* and the Wireless Receiver to the same house code. Also make sure both have the unit code set to the same number.

2. Make sure you have inserted batteries into the Wireless Receiver and it is turned on.
3. Insert the plug on the Wireless Receiver into the battery operated device you wish to activate.
4. Set the *Wireless Pal Pad* to the desired mode of control.
5. Press the top of the *Wireless Pal Pad* to activate.

Options: If you are activating a communication aid such as Adaptation's VoicePal, insert the plug on the Wireless Receiver into the switch jack on the communication aid. Set the *Wireless Pal Pad* to the Direct mode. Activate the *Wireless Pal Pad* to access your message on the communication aid. If you are activating a battery-operated device or toy, insert the plug on the Wireless Receiver into the switch jack on the adapted device. If your device is not adapted use a battery interrupter which is inserted into the battery compartment of the device.

Mounting Options

The *Wireless Pal Pad* also comes with a rubber backing which can be attached to help keep it from sliding. When mounting on a table or other flat surface, Velcro or Dual-Lock can be used as an alternate mounting method.

Delayed Activation

Typically when the *Wireless Pal Pad* is pressed, the corresponding device activates almost immediately. A one second delay can be added. This means the *Wireless Pal Pad* must be held down for one second before the device will operate. This can be very helpful for a person who may accidentally drag their hands. Delayed activation will help with these accidental activations.

To set the one second delay, set the two position slide switch to the "Delayed" position. Use a small screwdriver to slide the switch. Now your *Wireless Pal Pad* is set for a one second delay.

Trouble Shooting

Your AC appliance is not working.

- Make sure the device works independently of the *Wireless Pal Pad*.
- Make sure the *Wireless Pal Pad* is not turned to the "off" position.
- Make sure the device is turned "on" at all times.
- Make sure the house code is set the same on both transceiver and *Wireless Pal Pad*.
- Make sure you are within range (25 to 45 feet max) and there are no obstructions covering the antenna on the Transceiver Module.
- Check mode of control.
- Check to see if you are using delayed activation.

Your Battery-Operated device is not working.

- Make sure the device works independently of the *Wireless Pal Pad*.
- Make sure the *Wireless Pal Pad* is not turned to the "off" position.
- Make sure the Wireless Receiver is turned on, batteries are fresh, and it is plugged into the device.
- Make sure you are within range.
- Make sure the house code and unit code are set the same on both receiver and *Wireless Pal Pad*.
- Check to see if you are using delayed activation.

The device activates intermittently.

- Move the *Wireless Pal Pad* closer to the receiver.
- Make sure batteries are fresh.
- Be sure to wait approximately 2 seconds before reactivating. The *Wireless Pal Pad* needs time to send the RF signals. If activated rapidly, signals will become backed up and receiver may not respond.

The device activates without using the *Wireless Pal Pad*.

- Something in the environment is causing interference. Set the *Wireless Pal Pad* and receiver units to a different house code.
- Check to make sure other X-10 compatible environmental controls are not set to the same house code and, or unit code.

Wireless Pal Pad
1 Year Limited Warranty

Your Adaptivation *Wireless Pal Pad* was carefully tested and inspected before it was shipped from the factory. We warrant this product to be free from defects in materials and workmanship under normal use and service for one (1) year from the date of purchase. In the event of a defect in materials or workmanship, we will either repair or replace without charge, at our option, any part which in our judgment shows evidence of such defect within one (1) year of purchase.

This warranty does not apply if the *Wireless Pal Pad* has been misused, abused, altered, or tampered with. At the end of the warranty period, Adaptivation shall be under no further obligation expressed or implied.

This warranty gives you specific rights, and you may also have other rights which vary from state to state.

For repair service, contact Adaptivation's technical dept. to receive a required RMA# (return material authorization number) prior to the return of the device.

Adaptivation, Inc.
2225 W. 50th St. Suite 100
Sioux Falls, SD 57105

1(800)-723-2783, (605) 335-4445, Fax: (605) 335-4446, e-mail:
info@adaptivation.com, Web Page: www.adaptivation.com

Please insure your *Wireless Pal Pad* is clean before returning it to Adaptivation for service.

This is not a medical device. It should not be used where incorrect or faulty operation could reasonably be expected to result in injury or worse!